

THIS DRAWING IS UNPUBLISHED.

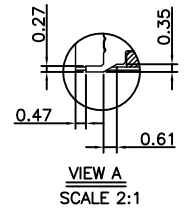
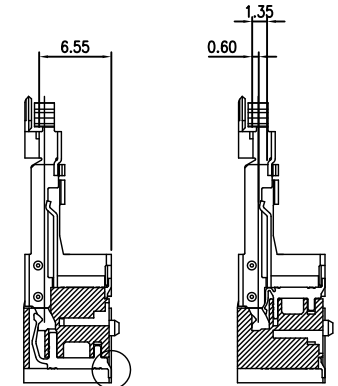
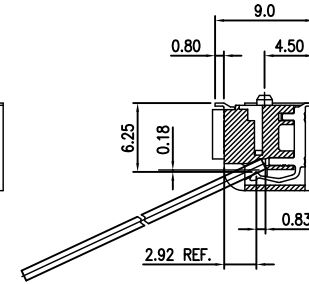
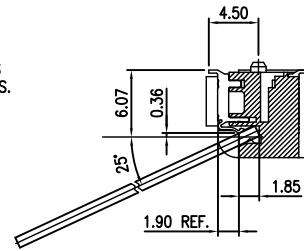
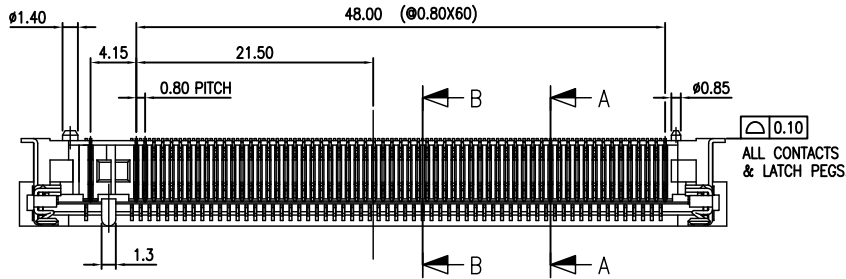
RELEASED FOR PUBLICATION

ALL RIGHTS RESERVED.

© COPYRIGHT 2011 TYCO ELECTRONICS CORPORATION

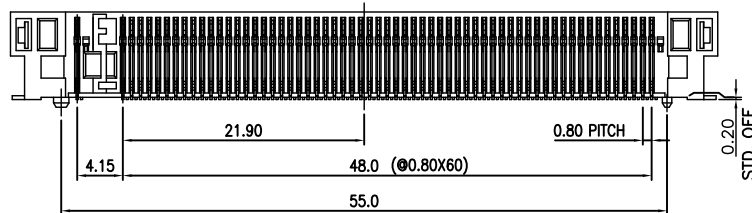
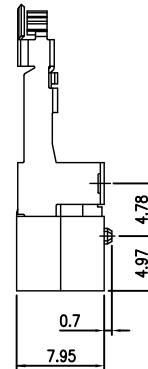
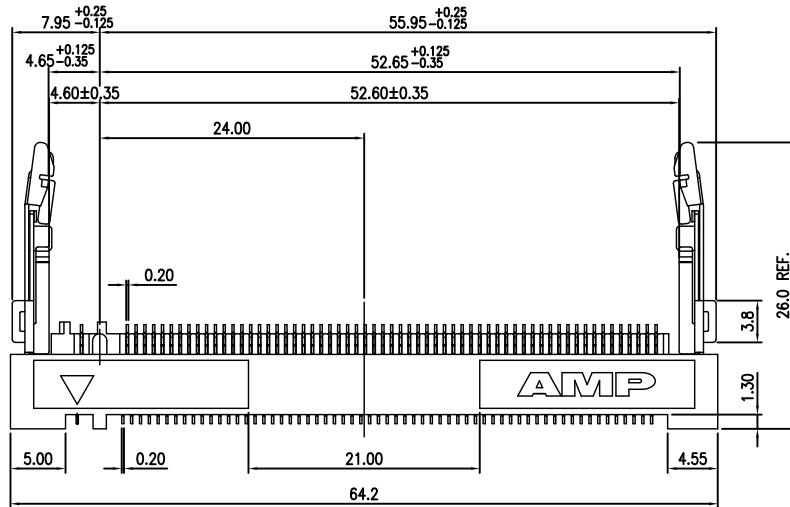
REVISIONS

P	LTR	DESCRIPTION	DATE	DWN	APVD
	N4	REVISED PER ECR-18-009184	13JUN2018	D.Z	S.L



NOTE :

- MATERIAL  
HOUSING : THERMOPLASTIC, LCP  
UL 94V-0, BLACK COLOR  
CONTACT : COPPER ALLOY  
LATCH : STEEL
- FINISH  
CONTACT : 0.25um MIN. GOLD PLATED IN CONTACT AREA,  
GOLD FLASH PALTING ON SOLDER TAIL AREA, WITH  
1.27um MIN. NICKEL UNDERPLATING ALL OVER.  
LATCH : 2.54um MIN. MATTE TIN PLATING(SEE TABLE) OVER  
0.76um MIN. NICKEL PLATING.
- CARD THICKNESS APPLIES ACROSS TABS AND INCLUDES PLATING  
AND/OR METALIZATION
- APPLICATION  
GOLD CONTACT PAD : ELECTROLESS GOLD PLATING 0.05um MIN  
OVER ELECTROLESS NICKEL PLATING 2um MIN
- BORDER OF COMPONENT AREA
- WEIGHT  
SEE PACKAGE TYPE



SMALL TRAY	W/O	TRANSPARENT	440360-5
TRAY	W/O	WHITE	440360-4
TRAY	W/O	TRANSPARENT	440360-2
PACKING	HOLE	PACK COLOR	PART NUMBER

THIS DRAWING IS A CONTROLLED DOCUMENT.		DWN -	TE Connectivity Ltd.	
DIMENSIONS: mm		CHK W. KODAMA	11MAR2008	
TOLERANCES UNLESS OTHERWISE SPECIFIED:		APVD W. KODAMA	NAME	
0 PLC ± -		PRODUCT SPEC	0.8mm PITCH FAX MODEM SOCKET, 124 POSITIONS	
1 PLC ± 0.15		APPLICATION SPEC	108-57083	
2 PLC ± 0.10		WEIGHT	SIZE A3	CAGE CODE 00779
3 PLC ± 0.05		CUSTOMER DRAWING	DRAWING NO	C-440360
4 PLC ± -			RESTRICTED TO	-
ANGLES ± 3'			SCALE -	SHEET 1 OF 7
MATERIAL SEE NOTE	FINISH -		REV	N4

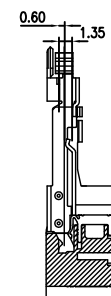
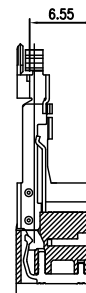
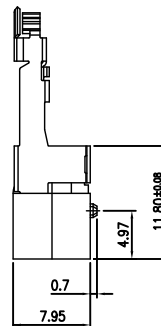
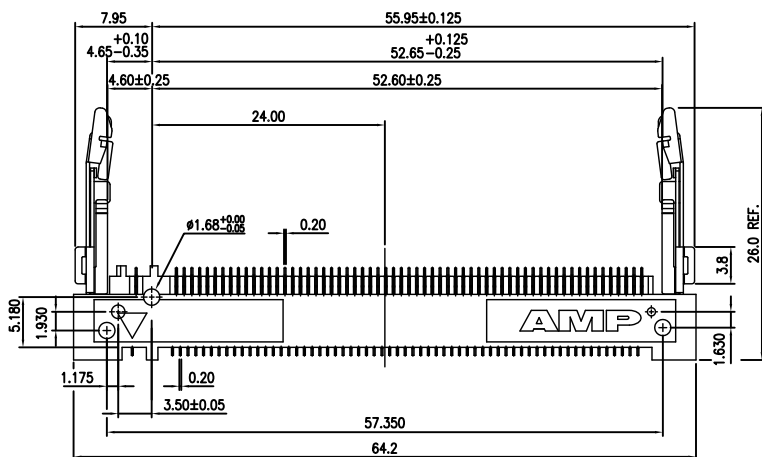
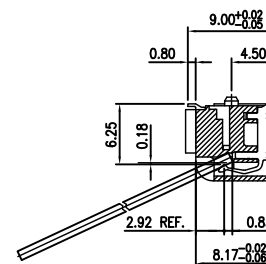
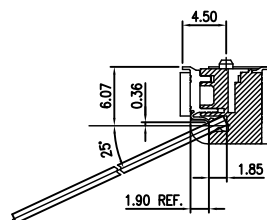
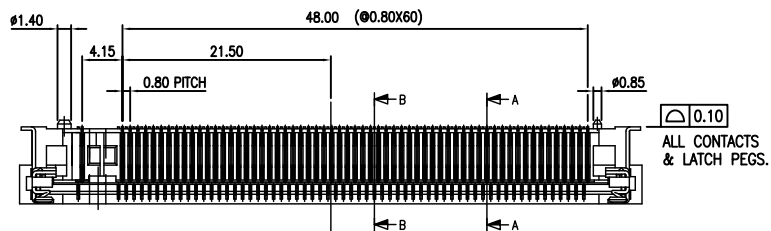
THIS DRAWING IS UNPUBLISHED. RELEASED FOR PUBLICATION

© COPYRIGHT 2011 TYCO ELECTRONICS CORPORATION

ALL RIGHTS RESERVED.

REVISIONS

P	LTR	DESCRIPTION	DATE	DWN	APVD
-	-	SEE SHEET 1	-	-	-



D

D

C

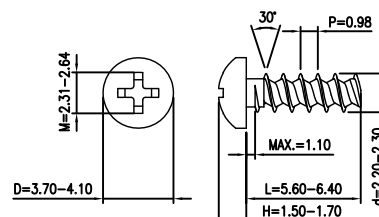
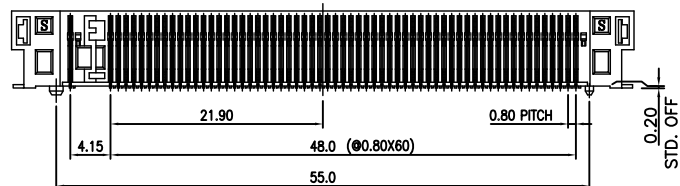
C

B

B

A

A

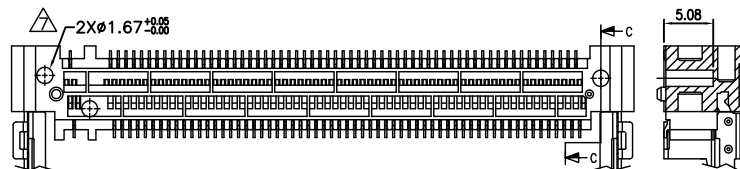


SCALE 4:1

M2.2X6 PT30 RECOMMENDED SCREW

NOTE:  
 ⚠ SCREW LOCATION AS APPLICABLE PER CUSTOMER.  
 ⚠ RECOMMENDED SCREW :  
 M2.2 X 6, PT 30 OR EQUIVALENT SCREW FOR THERMOPLASTIC.  
 9 TORQUE SCREWS TO 38-48 OZF-IN.

OBSOLETE	TRAY	W/	WHITE	1-440360-4
			TRANSPARENT	1-440360-2
	PACKING	HOLE	PACK COLOR	PART NUMBER



THIS DRAWING IS A CONTROLLED DOCUMENT.

DIMENSIONS:	TOLERANCES UNLESS OTHERWISE SPECIFIED:
mm	
0 PLC	± .
1 PLC	± 0.15
2 PLC	± 0.10
3 PLC	± 0.05
4 PLC	± .
ANGLES	± 3'

MATERIAL SEE NOTE

DWN	-
CHK	-
APVD	-
PRODUCT SPEC	-
APPLICATION SPEC	-
WEIGHT	-

TE Connectivity Ltd.			
NAME			
0.8mm PITCH FAX MODEM SOCKET, 124 POSITIONS			
SIZE	CAGE CODE	DRAWING NO	RESTRICTED TO
A3	00779	C-440360	-

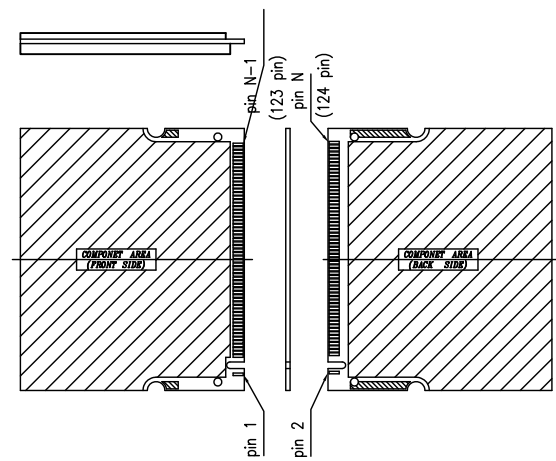
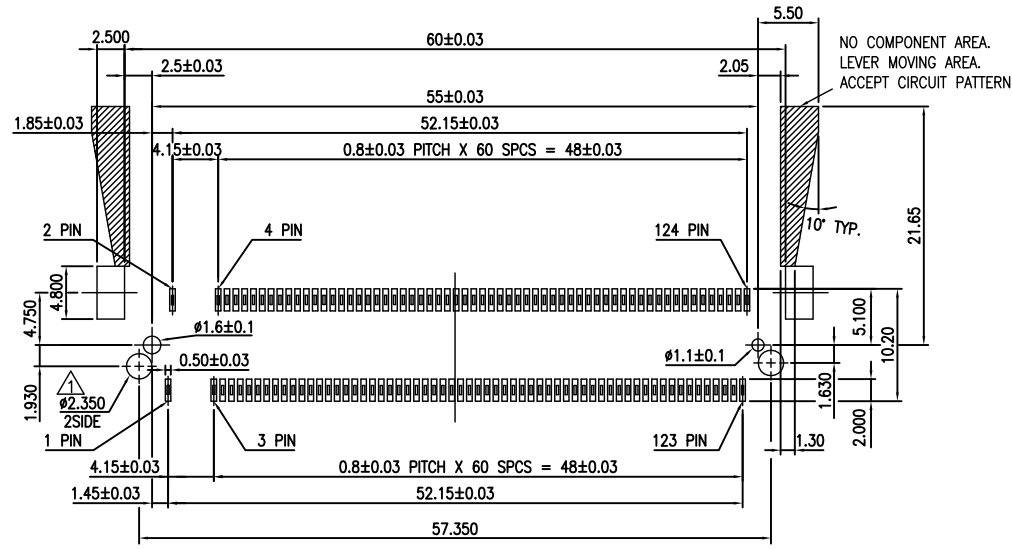
CUSTOMER DRAWING SCALE - SHEET 2 OF 7 REV N4

THIS DRAWING IS UNPUBLISHED. RELEASED FOR PUBLICATION - - - ALL RIGHTS RESERVED.

© COPYRIGHT 2011 TYCO ELECTRONICS CORPORATION

REVISIONS

P	LTR	DESCRIPTION	DATE	DWN	APVD
-	-	SEE SHEET 1	-	-	-

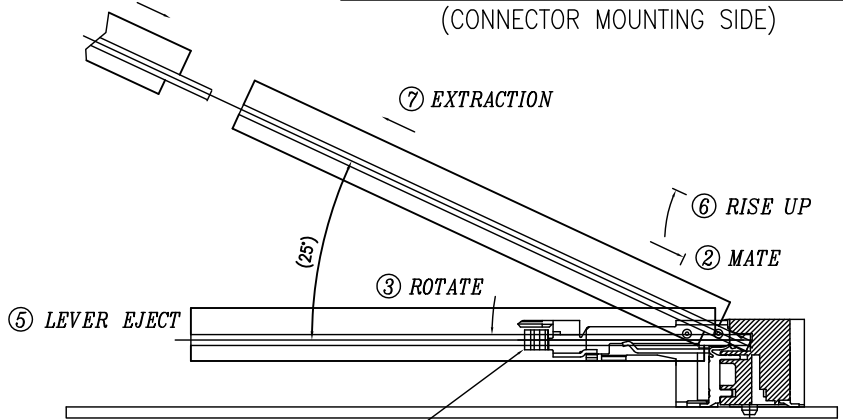


CIRCUIT POSITION OF S.O.DIMM

① MATING

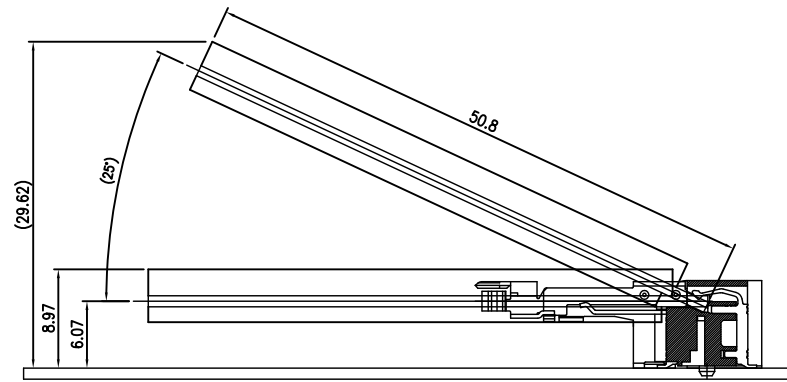
RECOMMENDED P.D. BOARD PATTERN LAYOUT (CONNECTOR MOUNTING SIDE)

NOTE: THE HOLES ARE ONLY FOR P/N : 1-0440360-X.



HOW TO MATE AND UNMATE

MATE: ① ~ ④  
UNMATE: ⑤ ~ ⑦



EJECT HEIGHT

THIS DRAWING IS A CONTROLLED DOCUMENT.		DWN -	TE Connectivity Ltd.		
		CHK -			
		APVD -	NAME		
DIMENSIONS: mm		PRODUCT SPEC	0.8mm PITCH FAX MODEM SOCKET, 124 POSITIONS		
TOLERANCES UNLESS OTHERWISE SPECIFIED:		APPLICATION SPEC	RESTRICTED TO		
0 PLC ±-		WEIGHT	SIZE	CAGE CODE	DRAWING NO
1 PLC ±-			A3	00779	C-440360
2 PLC ±-			CUSTOMER DRAWING		
3 PLC ±-			SCALE	SHEET	REV
4 PLC ±-			-	3 of 7	N4
ANGLES ±-					
MATERIAL					
FINISH					

4 3 2 1

THIS DRAWING IS UNPUBLISHED. RELEASED FOR PUBLICATION

© COPYRIGHT 2011 TYCO ELECTRONICS CORPORATION

ALL RIGHTS RESERVED.

REVISIONS

P	LTR	DESCRIPTION	DATE	DWN	APVD
-	-	SEE SHEET 1	-	-	-

Component Area (FRONT SIDE)

Dimensions:  $\phi 0.10$  C B A, D, D2, D5,  $\phi$  of D, A, B, A1, A2,  $\phi 0.10$  C B A, 2- $\phi 1.8$  OPTIONAL HOLES, Pin 1, Pin N-1 (123 Pin), (3.75), 4.15, e1.

DETAIL Z, DETAIL W.

Dimensions: 2.4Max, 1.4Max, 1.00 ± 0.10, -0.15, C.

Detail : Z (FRONT SIDE)

Dimensions: (DATUM A), FULL R, 1.8Min, 3.2Min, 4.20Min, 4.00 ± 0.10, 1.50 ± 0.10, A.

Detail : V (BACK SIDE)

Dimensions: (DATUM A), 4.6Min.

Detail : W (FRONT SIDE)

Detail : X (BACK SIDE)

Dimensions: 2-5.00 ± 0.05, 2-R3Min, 2-0.38Max, 2-2.00 ± 0.05, 2-0.38Max, 2-14.9 ± 0.05, 2-R3Min/5.

Detail : Y (BACK SIDE)

Dimensions: 0.8, 0.25Max, 2.55 ± 0.05, 0.60 ± 0.05,  $\phi 0.10$  C B A,  $\phi 0.05$  C.

Component Area (BACK SIDE)

Dimensions: (4.15), 4.15, e1, Pin N (124 Pin), Pin 2, 4.00 ± 0.10,  $\phi 0.10$  C B A.

DETAIL V, DETAIL Y, DETAIL X, FULL R.

THIS DRAWING IS A CONTROLLED DOCUMENT.		DWN -	TE Connectivity Ltd.		
		CHK -			
DIMENSIONS: mm		APVD -	NAME		
		PRODUCT SPEC -	0.8mm PITCH FAX MODEM SOCKET, 124 POSITIONS		
TOLERANCES UNLESS OTHERWISE SPECIFIED: 0 PLC ± 1 PLC ± 2 PLC ± 3 PLC ± 4 PLC ± ANGLES ±-		APPLICATION SPEC -	RESTRICTED TO		
MATERIAL -		WEIGHT -	SIZE A3	CAGE CODE 00779	DRAWING NO C-440360
FINISH -		CUSTOMER DRAWING		SCALE -	SHEET 4 OF 7
				REV N4	

1470-19 (1/15)

4

3

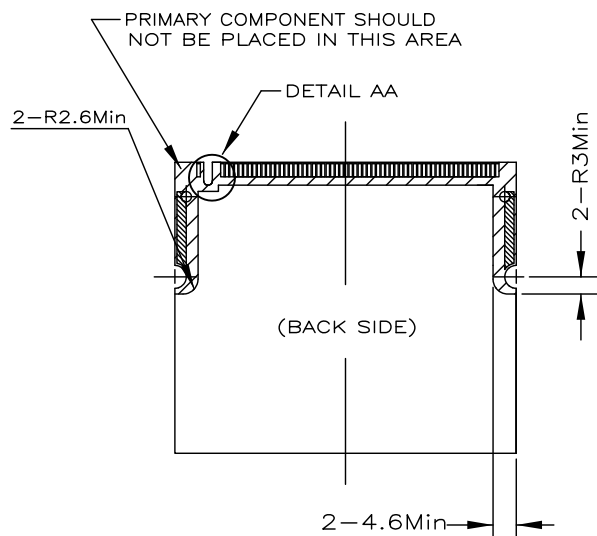
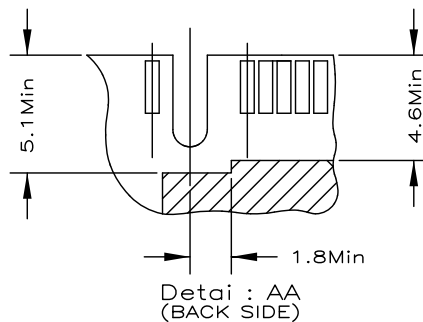
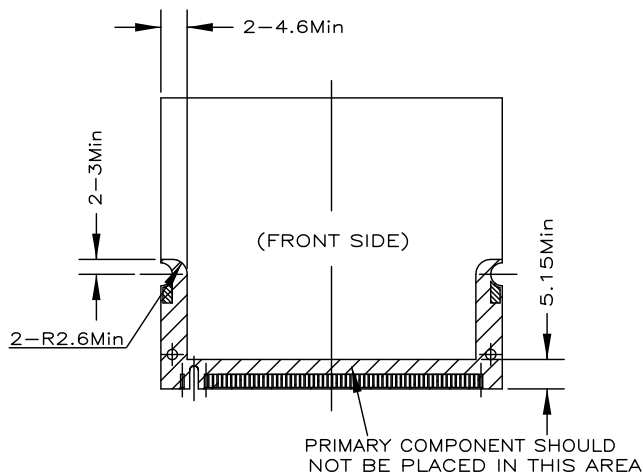
2

1

THIS DRAWING IS UNPUBLISHED. RELEASED FOR PUBLICATION - . - .  
© COPYRIGHT 2011 TYCO ELECTRONICS CORPORATION ALL RIGHTS RESERVED.

REVISIONS

P	LTR	DESCRIPTION	DATE	DWN	APVD
-	-	SEE SHEET 1	-	-	-



SOYMBOL	VARIATIONS ALL DIMENSIONS IN mm					
	NORMAL HEIGHT 44.45			NORMAL HEIGHT 50.80		
	AA			BA		
	MIN	NOM	MAX	MIN	NOM	MAX
A	44.3	44.45	44.60	50.65	50.80	50.95
A1	6.00	BSC		6.00	BSC	
A2	20.00	BSC		20.00	BSC	
D	59.45	59.6	59.75	59.45	59.6	59.75
D1	1.30	BSC		1.30	BSC	
D2	55.60	BSC		55.60	BSC	
D3	2.05	BSC		2.05	BSC	
D4	1.65	BSC		1.65	BSC	
D5	24.00	BSC		24.00	BSC	
e1	48.00	BSC		48.00	BSC	
N		124			124	

THIS DRAWING IS A CONTROLLED DOCUMENT.

DWN -  
CHK -  
APVD -

TE Connectivity Ltd.

NAME  
0.8mm PITCH FAX MODEM  
SOCKET, 124 POSITIONS

DIMENSIONS: mm

TOLERANCES UNLESS OTHERWISE SPECIFIED:

0 PLC	± -
1 PLC	± -
2 PLC	± -
3 PLC	± -
4 PLC	± -
ANGLES	± -

MATERIAL - FINISH -

PRODUCT SPEC -  
APPLICATION SPEC -  
WEIGHT -

SIZE A3 CAGE CODE 00779 DRAWING NO. 440360 RESTRICTED TO -

CUSTOMER DRAWING SCALE - SHEET 5 OF 7 REV N4

4

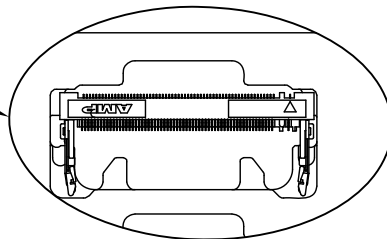
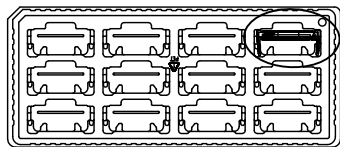
3

2

1

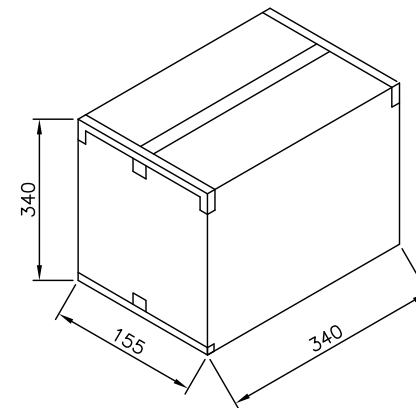
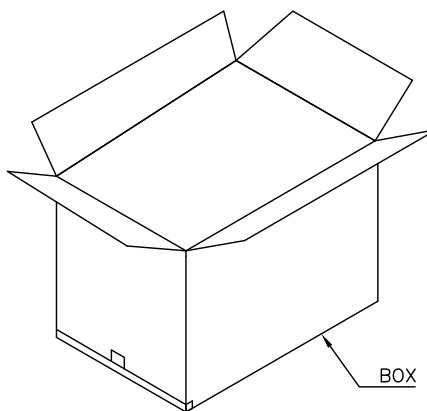
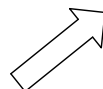
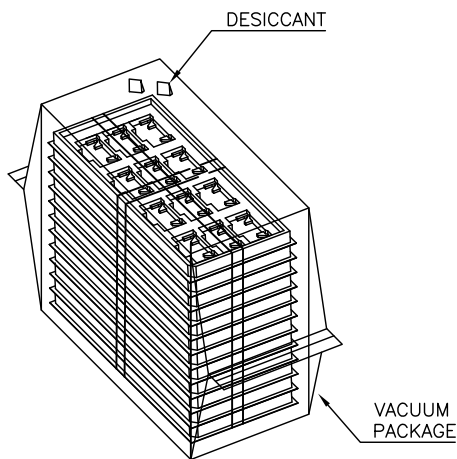
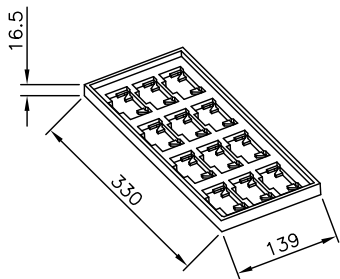
THIS DRAWING IS UNPUBLISHED. RELEASED FOR PUBLICATION -,- .  
© COPYRIGHT 2011 TYCO ELECTRONICS CORPORATION ALL RIGHTS RESERVED.

REVISIONS					
P	LTR	DESCRIPTION	DATE	DWN	APVD
-	-	SEE SHEET 1	-	-	-



NOTES :

- 1. MATERIAL :
  - TRAY: PET, COLOR: TRANSPARENT.
  - BOX: CORRUGATED FIBER
  - TRANSPARENT BAG: PE, SIZE: 660mm\*600mm\*0.08mm
- 2. EACH BAG SHALL BE INCLUDED:
  - \* DESICCANT



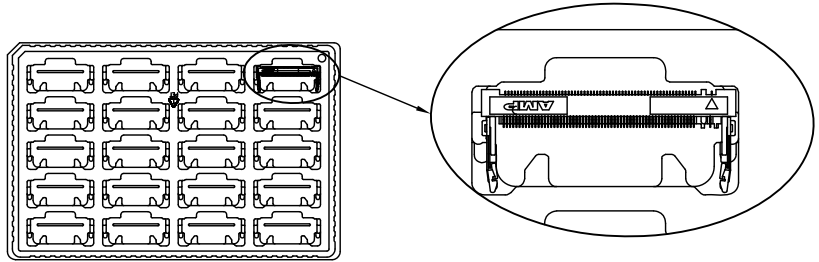
4.2 KG	2.1 KG	12	30	360	440360-5
GROSS WEIGHT	NET WEIGHT	PCS/ TRAY	TRAY/ CARTON	PCS/ BOX	PN

SMALL TRAY

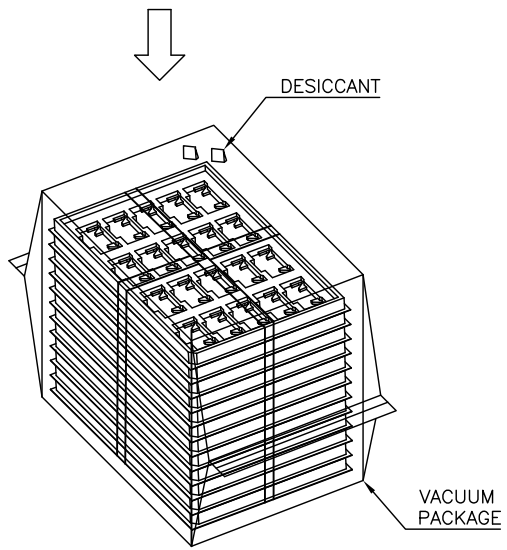
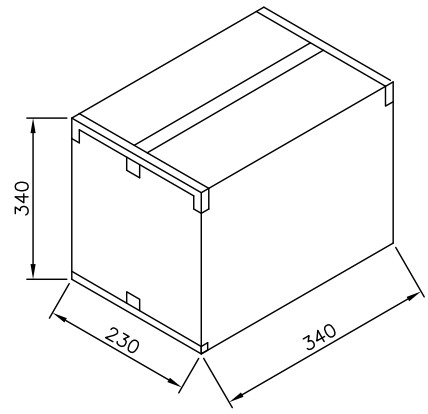
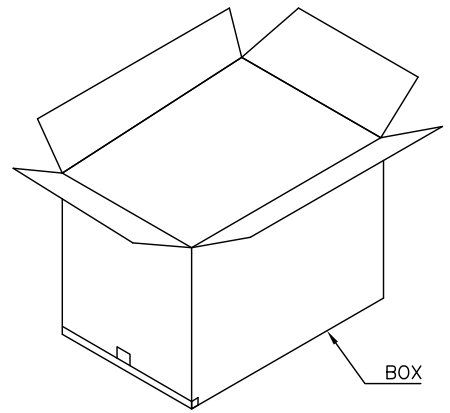
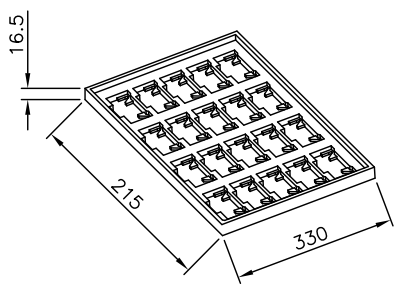
THIS DRAWING IS A CONTROLLED DOCUMENT.		DWN -	TE Connectivity Ltd.														
DIMENSIONS: mm		CHK -	NAME														
TOLERANCES UNLESS OTHERWISE SPECIFIED:		APVD -	0.8mm PITCH FAX MODEM SOCKET, 124 POSITIONS														
<table border="0"> <tr><td>0 PLC</td><td>± -</td></tr> <tr><td>1 PLC</td><td>± -</td></tr> <tr><td>2 PLC</td><td>± -</td></tr> <tr><td>3 PLC</td><td>± -</td></tr> <tr><td>4 PLC</td><td>± -</td></tr> <tr><td>ANGLES</td><td>± -</td></tr> </table>		0 PLC	± -	1 PLC	± -	2 PLC	± -	3 PLC	± -	4 PLC	± -	ANGLES	± -	PRODUCT SPEC -	SIZE CAGE CODE DRAWING NO RESTRICTED TO		
0 PLC	± -																
1 PLC	± -																
2 PLC	± -																
3 PLC	± -																
4 PLC	± -																
ANGLES	± -																
MATERIAL -	FINISH -	APPLICATION SPEC -	A3 00779 C-440360														
		WEIGHT 0	CUSTOMER DRAWING														
		SCALE -	SHEET 6 OF 7		REV N4												

THIS DRAWING IS UNPUBLISHED. RELEASED FOR PUBLICATION  
 © COPYRIGHT 2011 TYCO ELECTRONICS CORPORATION ALL RIGHTS RESERVED.

REVISIONS					
P	LTR	DESCRIPTION	DATE	DWN	APVD
-	-	SEE SHEET 1	-	-	-



- NOTES :
- MATERIAL :  
 TRAY: PET, COLOR: TRANSPARENT.  
 BOX: CORRUGATED FIBER  
 TRANSPARENT BAG: PE, SIZE: 660mm\*600mm\*0.08mm
  - EACH BAG SHALL BE INCLUDED:  
 \* DESICCANT



6.2 KG	3.5 KG	20	30	600	440360-2
GROSS WEIGHT	NET WEIGHT	PCS/ TRAY	TRAY/ CARTON	PCS/ BOX	PN

THIS DRAWING IS A CONTROLLED DOCUMENT.		DWN -	<b>TE Connectivity Ltd.</b>			
		CHK -				
DIMENSIONS: mm 		APVD -	NAME			
TOLERANCES UNLESS OTHERWISE SPECIFIED: 0 PLC ± - 1 PLC ± - 2 PLC ± - 3 PLC ± - 4 PLC ± - ANGLES ± -		PRODUCT SPEC -	0.8mm PITCH FAX MODEM SOCKET, 124 POSITIONS			
MATERIAL -		APPLICATION SPEC -				
FINISH -		WEIGHT -	SIZE	CAGE CODE	DRAWING NO	RESTRICTED TO
		CUSTOMER DRAWING	A3	00779	440360	-
		SCALE -	SHEET	7 OF 7	REV	N4