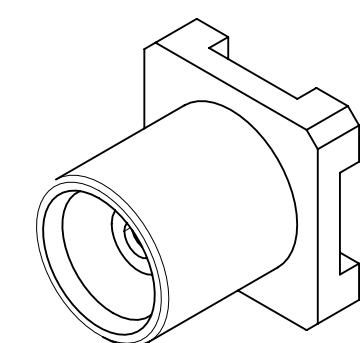


MATERIALS & FINISHES:

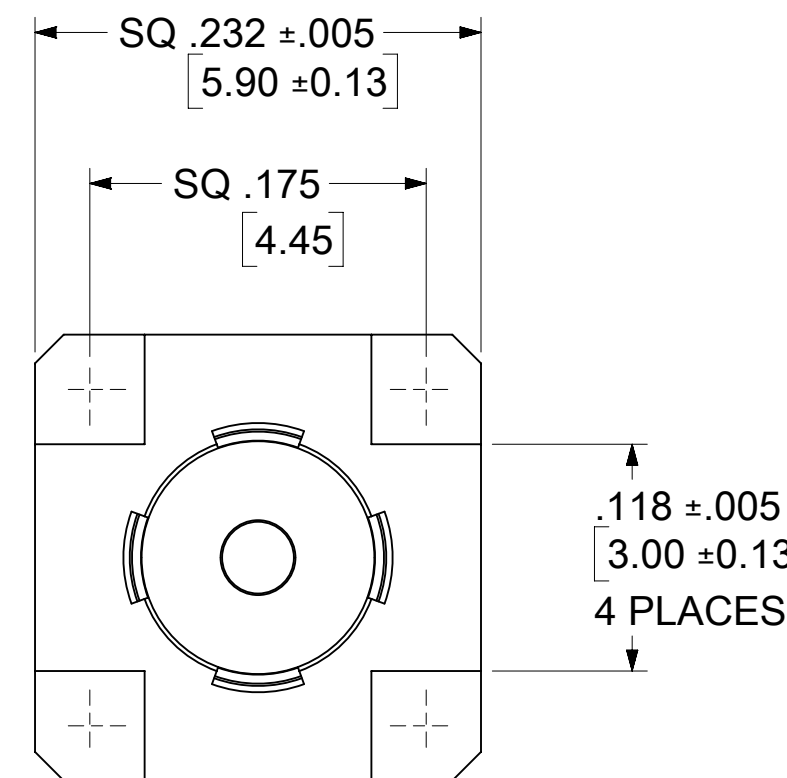
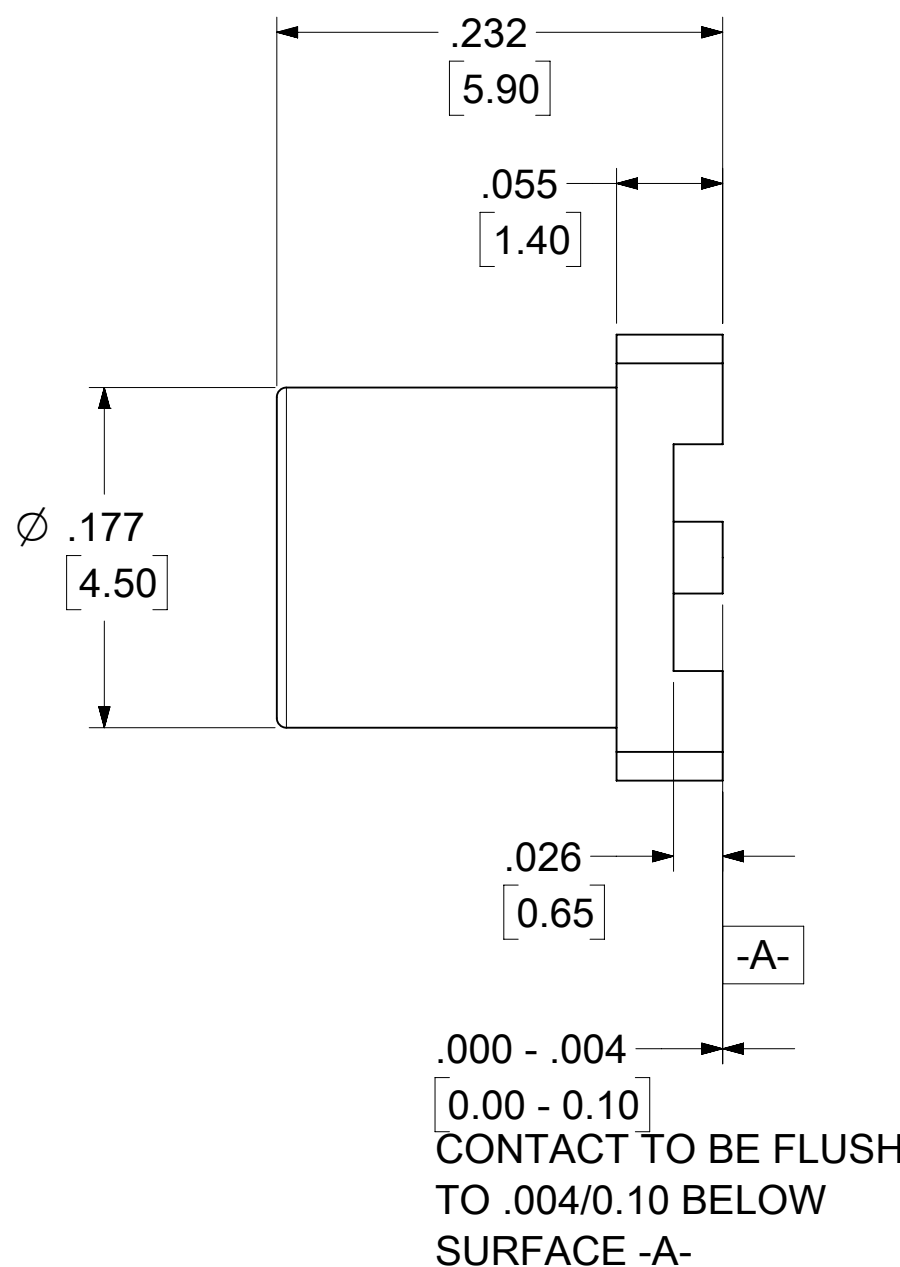
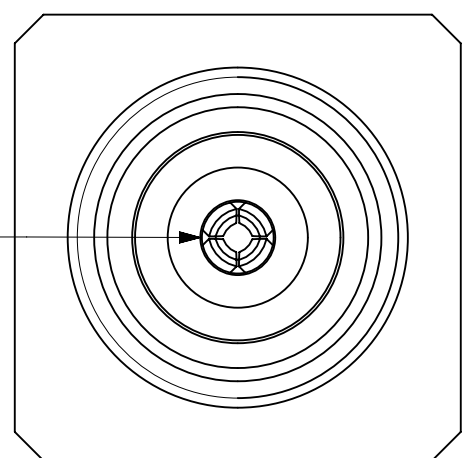
BODY: BRASS
PLATING SEE TABLE

CONTACT: BERYLLIUM COPPER
GOLD (30µ-in MIN)

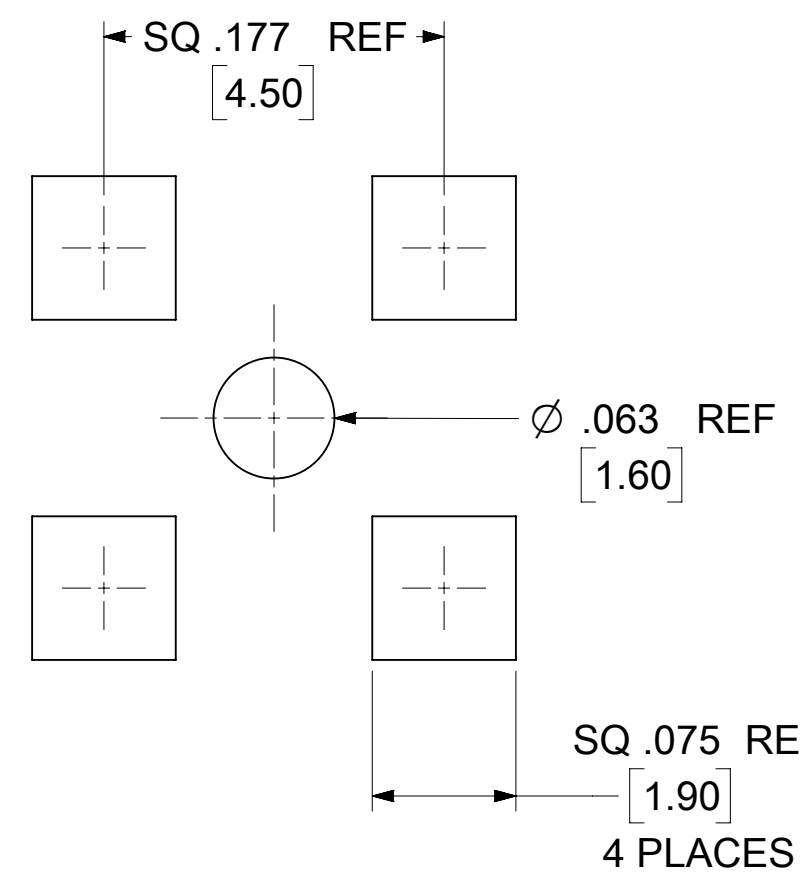
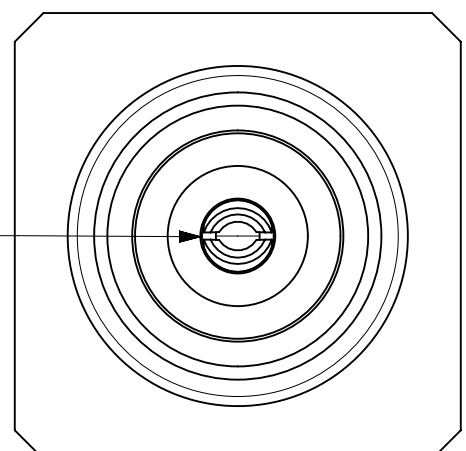
INSULATOR: TEFLON



NOTE:
73415-1696 & 73415-1697
WITH 4 SLOTS CONTACT



NOTE:
73415-1690 & 73415-1691 &
73415-1692 & 73415-1693 &
73415-1694 & 73415-1695 &
73415-1698 & 73415-1699 &
73366-6510
WITH 2 SLOTS CONTACT



RECOMMENDED MOUNTING PATTERN

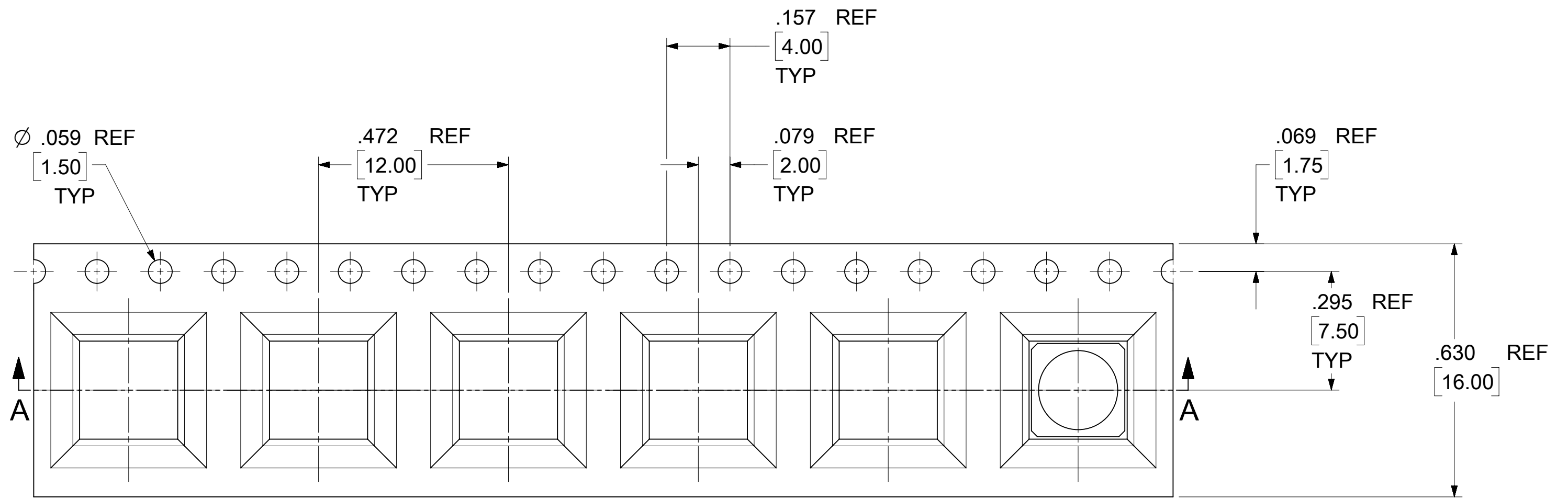
73366-6510	GOLD (1µ-in MIN)	2 SLOTS	73415-1691 TAPE & REEL WITH KAPTON	750 PCS PER REEL	SHEET 2, 3 & 4
73415-1699	GOLD (1µ-in MIN)	2 SLOTS	73416-1691 ONE PER BAG	1 PCS PER BAG	895420089
73415-1698	GOLD (30µ-in MIN)	2 SLOTS	73415-1698 TAPE & REEL WITH KAPTON	750 PCS PER REEL	SHEET 2, 3 & 4
73415-1697	GOLD (1µ-in MIN)	4 SLOTS	73415-1696 TAPE & REEL WITH KAPTON	750 PCS PER REEL	SHEET 2, 3 & 4
73415-1696	GOLD (1µ-in MIN)	4 SLOTS	73415-1696 BAG	500 PCS PER BAG	895420061
73415-1695	NICKEL	2 SLOTS	73415-1690 TAPE & REEL WITH KAPTON	750 PCS PER REEL	SHEET 2, 3 & 4
73415-1694	GOLD (1µ-in MIN)	2 SLOTS	73416-1691 SMALL TRAY	20 PCS PER TRAY	895420200
73415-1693	NICKEL	2 SLOTS	73415-1690 SMALL TRAY	20 PCS PER TRAY	895420200
73415-1692	GOLD (1µ-in MIN)	2 SLOTS	73415-1691 TAPE & REEL WITH KAPTON	750 PCS PER REEL	SHEET 2, 3 & 4
73415-1691	GOLD (1µ-in MIN)	2 SLOTS	73415-1691 BAG	500 PCS PER BAG	895420161
73415-1690	NICKEL	2 SLOTS	73415-1690 BAG	500 PCS PER BAG	895420161
PART NO.	BODY PLATING	CONTACT	DESCRIPTION	QUANTITY	PACKING SPEC

PS-89675-183	ELEC/MECH PERFORMANCE
SPECIFICATION	DESCRIPTION

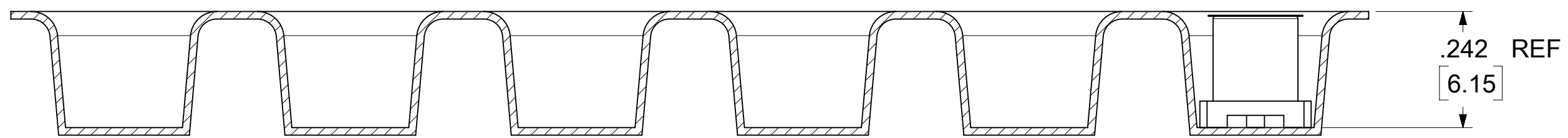
PENDING APPROVAL

THIS DRAWING CONTAINS INFORMATION THAT IS PROPRIETARY TO MOLEX ELECTRONIC TECHNOLOGIES, LLC AND SHOULD NOT BE USED WITHOUT WRITTEN PERMISSION

DIMENSION UNITS	SCALE	CURRENT REV DESC: ADD PACKING SPEC PER EWR #15848-A	molex		
INCH/MM	NTS				
GENERAL TOLERANCES (UNLESS SPECIFIED)			MCX PCB/SMT JACK 50 OHM MCX-J/PCB/SMT EWR-1148		
4 PLACES	±	±	PRODUCT CUSTOMER DRAWING		
3 PLACES	±	± 0.01	DOCUMENT NUMBER		
2 PLACES	±	0.25	SD-73415-169		
1 PLACE	±	±	DOC TYPE DOC PART REVISION		
0 PLACES	±	±	PSD 001 B7		
ANGULAR TOL	±	2.0 °	MATERIAL NUMBER		
DRAFT WHERE APPLICABLE MUST REMAIN WITHIN DIMENSIONS			CUSTOMER		
THIRD ANGLE PROJECTION			GENERAL MARKET		
DRAWING			SHEET NUMBER		
C-SIZE			1 OF 4		
SERIES			73415		



VIEWS FOR 73415-1692 & 73415-1695 & 73415-1697 & 73415-1698 & 73366-6510



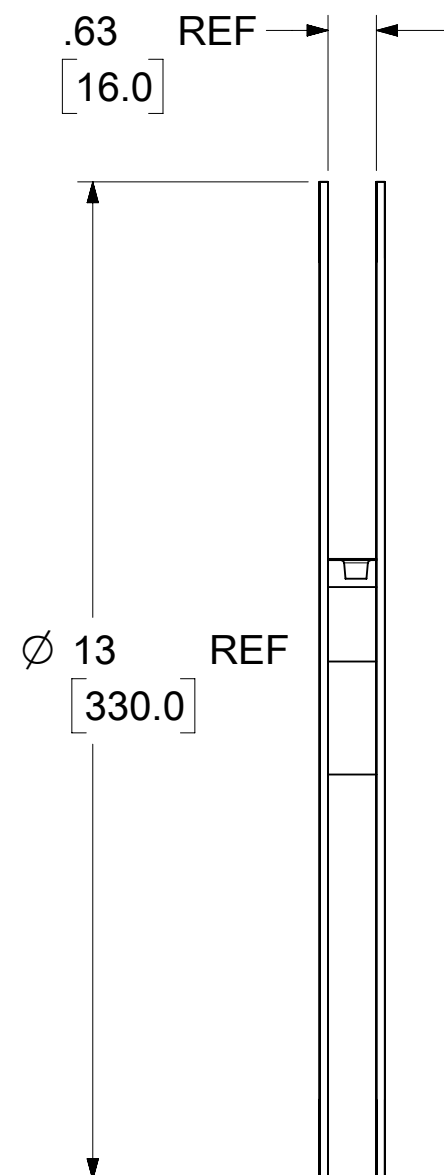
SECTION A-A

PENDING APPROVAL

THIS DRAWING CONTAINS INFORMATION THAT IS PROPRIETARY TO MOLEX ELECTRONIC TECHNOLOGIES, LLC AND SHOULD NOT BE USED WITHOUT WRITTEN PERMISSION									
DIMENSION UNITS		SCALE		CURRENT REV DESC: ADD PACKING SPEC PER EWR #15848-A					
INCH/MM		NTS		<p>EC NO: 750290 DRWN: RYEH CHK'D: APPR: INITIAL REVISION: DRWN: YCHENG APPR: MHUANG</p>					
GENERAL TOLERANCES (UNLESS SPECIFIED)									
	MM	INCH							
4 PLACES	±	±							
3 PLACES	±	±	0.01						
2 PLACES	±	0.25	±						
1 PLACE	±	±							
0 PLACES	±	±							
ANGULAR TOL		± 2.0 °		<p>2023/05/10 2007/02/08 2007/02/09</p>					
DRAFT WHERE APPLICABLE MUST REMAIN WITHIN DIMENSIONS				THIRD ANGLE PROJECTION		DRAWING		SERIES	
						C-SIZE		73415	
DOCUMENT STATUS				RQ		RELEASE DATE		<p>molex</p> <p>MCX PCB/SMT JACK 50 OHM MCX-J/PCB/SMT EWR-1148</p> <p>PRODUCT CUSTOMER DRAWING</p>	
12				11		10		<p>DOCUMENT NUMBER</p> <p>SD-73415-169</p> <p>MATERIAL NUMBER</p> <p>SEE TABLE</p>	
9				8		7		<p>DOC TYPE</p> <p>PSD</p> <p>CUSTOMER</p> <p>GENERAL MARKET</p>	
6				5		4		<p>DOC PART</p> <p>001</p> <p>SHEET NUMBER</p> <p>2 OF 4</p>	
3				2		1		<p>REVISION</p> <p>B7</p>	

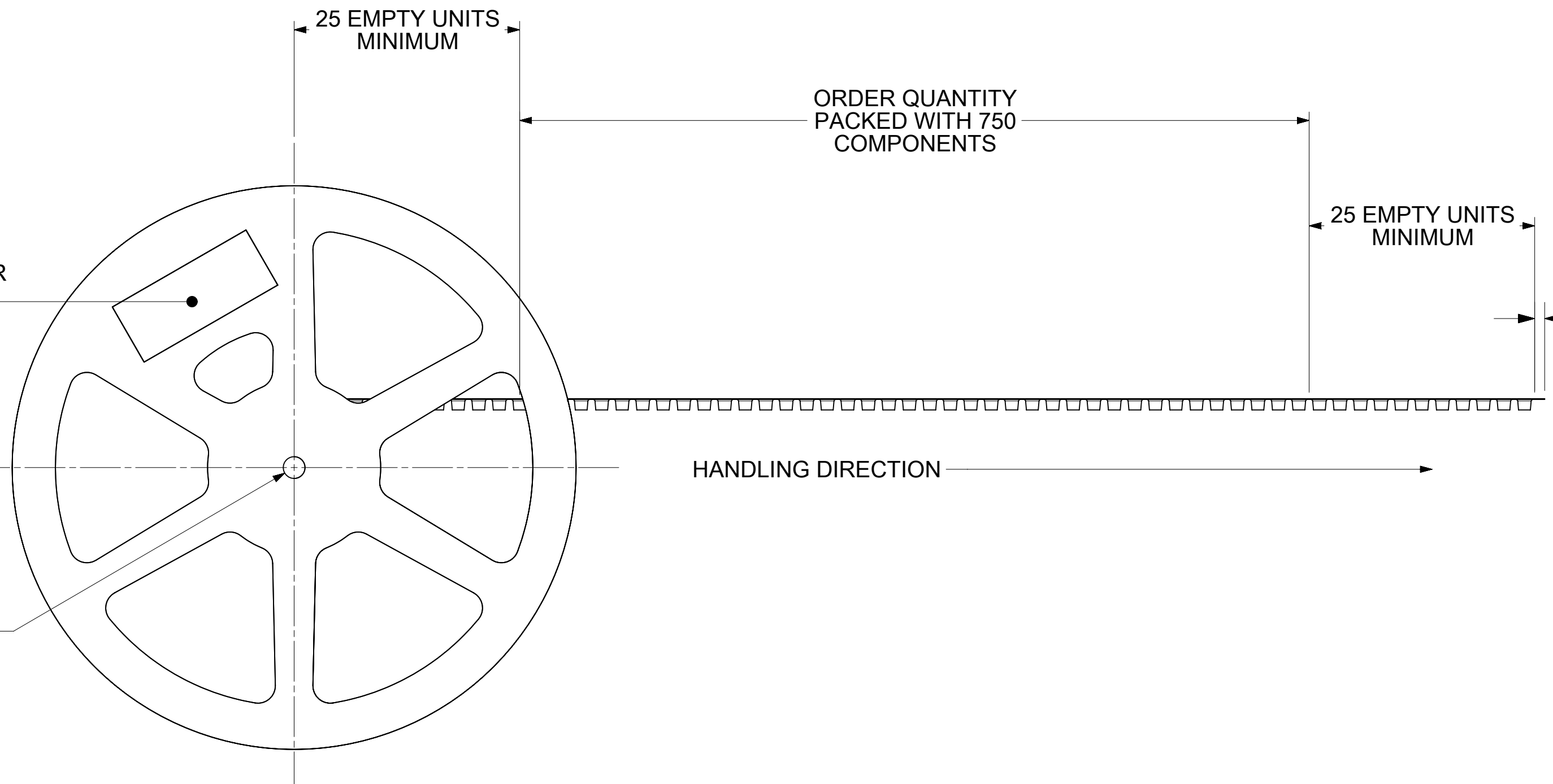
DOCUMENT STATUS	RQ	RELEASE DATE	
-----------------	----	--------------	--

12	11	10	9	8	7	6	5	4	3	2	1
----	----	----	---	---	---	---	---	---	---	---	---

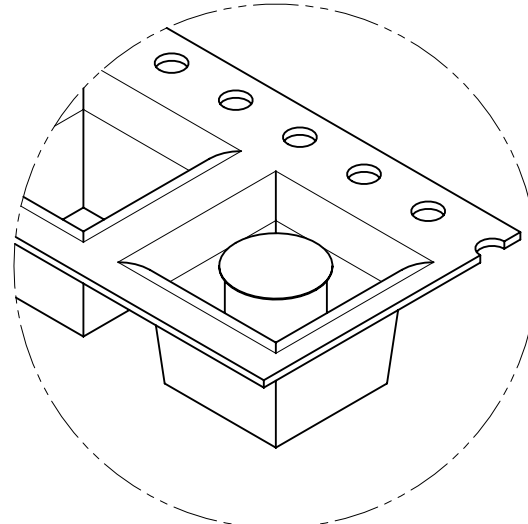
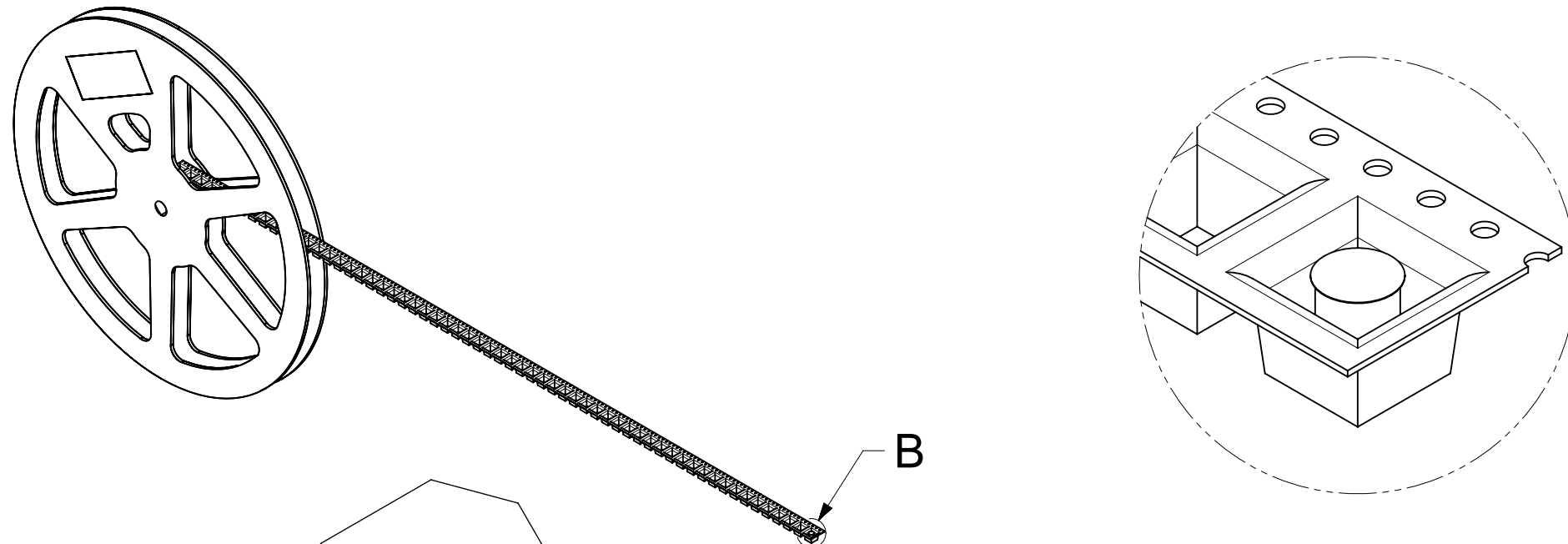


LABEL:
 -ORDER NUMBER
 -QUANTITY
 -PART NUMBER
 -LOT NUMBER

Ø .502 REF [12.75]



VIEWS FOR 73415-1692 & 73415-1695 & 73415-1697 & 73415-1698 & 73366-6510



DETAIL B

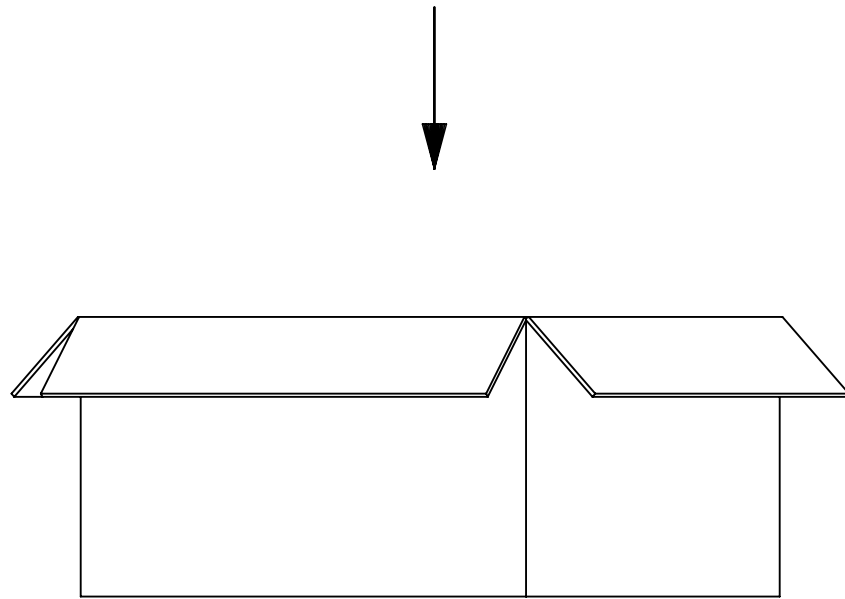
PENDING APPROVAL

THIS DRAWING CONTAINS INFORMATION THAT IS PROPRIETARY TO MOLEX ELECTRONIC TECHNOLOGIES, LLC AND SHOULD NOT BE USED WITHOUT WRITTEN PERMISSION									
DIMENSION UNITS INCH/MM		SCALE NTS		CURRENT REV DESC: ADD PACKING SPEC PER EWR #15848-A				molex	
GENERAL TOLERANCES (UNLESS SPECIFIED)				EC NO: 750290					
	MM		INCH	DRWN: YCHENG		2023/05/10		MCX PCB/SMT JACK 50 OHM MCX-J/PCB/SMT EWR-1148	
4 PLACES	±		±	CHK'D:				PRODUCT CUSTOMER DRAWING	
3 PLACES	±		± 0.01	APPR:				DOCUMENT NUMBER	
2 PLACES	±	0.25	±	INITIAL REVISION:				SD-73415-169	
1 PLACE	±		±	DRWN: YCHENG		2007/02/08		DOC TYPE DOC PART REVISION	
0 PLACES	±		±	APPR: MHUANG		2007/02/09		PSD 001 B7	
ANGULAR TOL ± 2.0 °				THIRD ANGLE PROJECTION		DRAWING		MATERIAL NUMBER	
DRAFT WHERE APPLICABLE MUST REMAIN WITHIN DIMENSIONS				C-SIZE		SERIES		CUSTOMER	
						73415		GENERAL MARKET	
								SHEET NUMBER	
								3 OF 4	

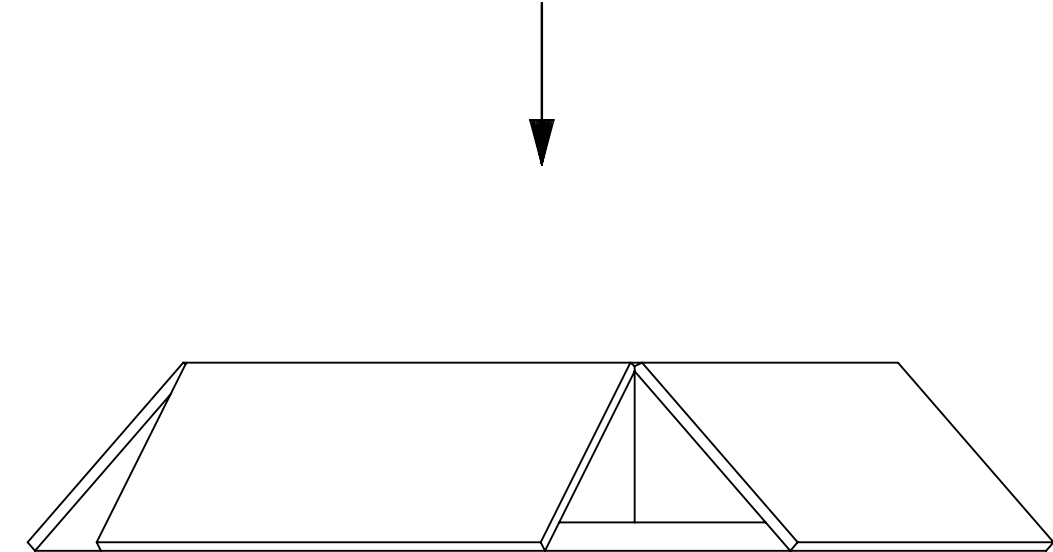
DOCUMENT STATUS	RQ	RELEASE DATE	
-----------------	----	--------------	--

73415-1698	73415-1698 TAPE & REEL WITH KAPTON	750 PCS	6000 PCS
73415-1697	73415-1696 TAPE & REEL WITH KAPTON	750 PCS	6000 PCS
73415-1695	73415-1690 TAPE & REEL WITH KAPTON	750 PCS	6000 PCS
73415-1692	73415-1691 TAPE & REEL WITH KAPTON	750 PCS	6000 PCS
PART NO.	DESCRIPTION	QTY/REEL	QTY/CARTON

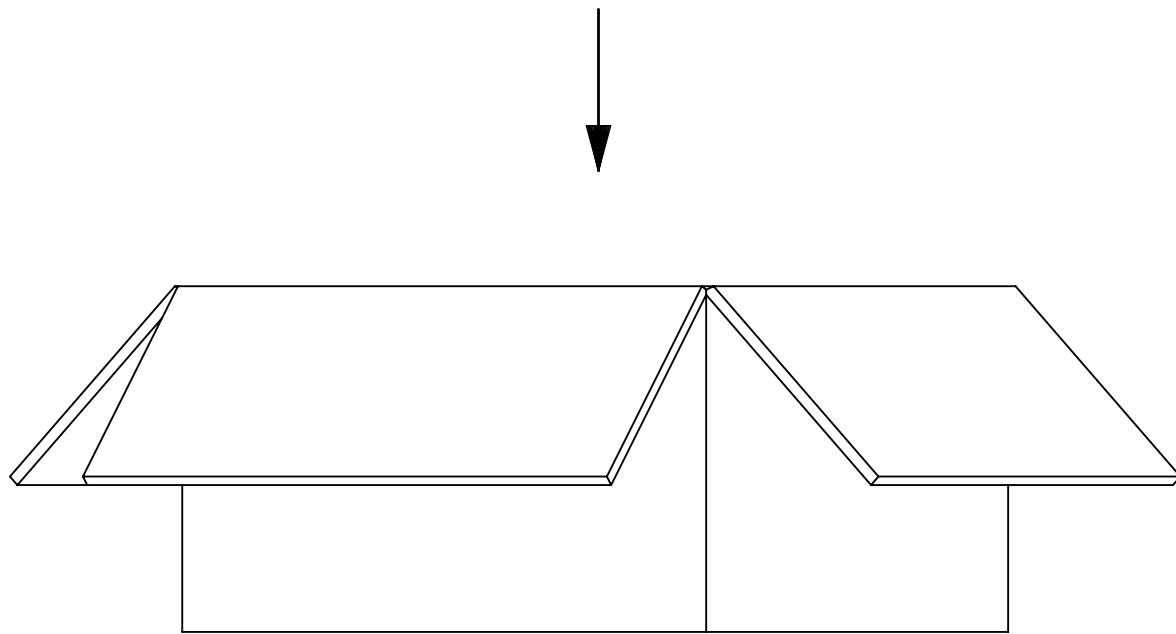
73366-6510	73415-1691 TAPE & REEL WITH KAPTON	750 PCS	750 PCS
PART NO.	DESCRIPTION	QTY/REEL	QTY/CARTON



8 REELS PER INNER CARTON BOX
(8 X 750 = 6000 PCS)



1 REEL PER CARTON BOX
(1 X 750 = 750 PCS)



8 REELS PER OUTER CARTON BOX
(8 X 750 = 6000 PCS)

PENDING APPROVAL

THIS DRAWING CONTAINS INFORMATION THAT IS PROPRIETARY TO MOLEX ELECTRONIC TECHNOLOGIES, LLC AND SHOULD NOT BE USED WITHOUT WRITTEN PERMISSION									
DIMENSION UNITS		SCALE		CURRENT REV DESC: ADD PACKING SPEC PER EWR #15848-A				molex	
INCH/MM		NTS							
GENERAL TOLERANCES (UNLESS SPECIFIED)				EC NO: 750290		2023/05/10		MCX PCB/SMT JACK 50 OHM MCX-J/PCB/SMT EWR-1148	
		MM	INCH	DRWN: RYEH				PRODUCT CUSTOMER DRAWING	
4 PLACES		±	±	CHK'D:		SD-73415-169		DOCUMENT NUMBER	
3 PLACES		±	± 0.01	APPR:				DOC TYPE	
2 PLACES		± 0.25	±	INITIAL REVISION:		PSD		001	
1 PLACE		±	±	DRWN: YCHENG		2007/02/08		REVISION	
0 PLACES		±	±	APPR: MHUANG		2007/02/09		B7	
ANGULAR TOL		± 2.0 °		THIRD ANGLE PROJECTION		DRAWING		SERIES	
DRAFT WHERE APPLICABLE MUST REMAIN WITHIN DIMENSIONS				C-SIZE		73415		MATERIAL NUMBER	
						SEE TABLE		CUSTOMER	
						GENERAL MARKET		SHEET NUMBER	
								4 OF 4	

DOCUMENT STATUS	RQ	RELEASE DATE	
-----------------	----	--------------	--